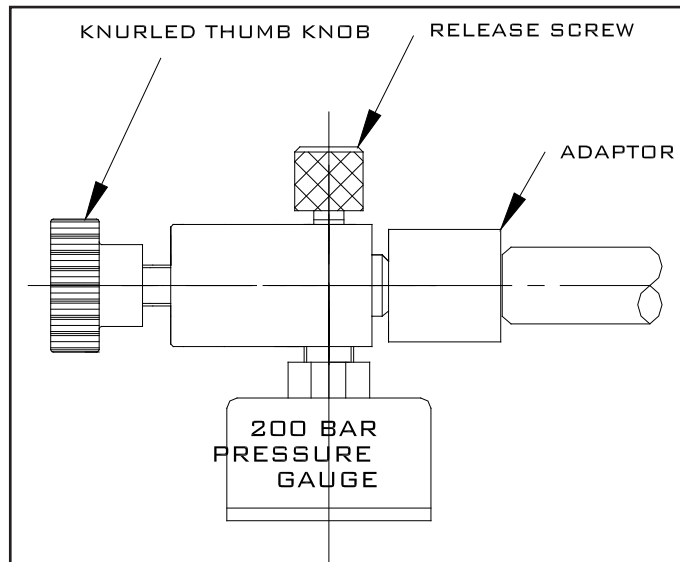


## PRESSURE ADJUSTMENT

A range of accessories is available to suit the various **Alrose** Gas Springs.

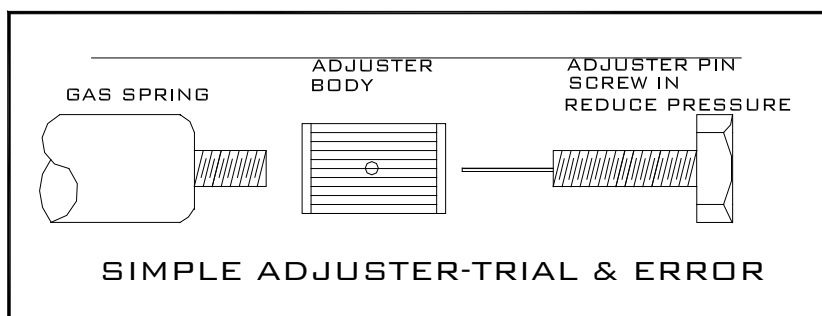
### Portable Gauging System



Our unique portable gauging system allows for accurate downward adjustment of pressure and therefore, force in all ranges of Gas Springs. Supplied with a set of standard adaptors or specials made to suit customers' individual requirements.

### Simple Adjuster for trial and error adjustment

The Adjuster allows the pressure to be reduced in the gas spring and gives more control than tapping the valve with a rod. Available in threads M5, M8 & M10



To assemble screw the sleeve onto the valve end of the gas spring (you will find the valve located under the body end fitting) and turn gently until a slight resistance is felt. Turning the adjuster further on will open the valve and allow the gas to escape – always point the unit away from yourself and other people! Be ready to back off the adjuster once a small amount of gas has escaped, test the operation of the gas spring and if further adjustment is necessary proceed in small stages. If you let out too much gas the unit will have to be returned to us for recharging for which there is a minimum order charge.