

Full Range of End Fittings

Our most popular fittings are in **bold red text**.
Stocked Sizes

Ball Joints, Eye Joints, Spherical Rose Joints and Clevis Forks.
Available in Stainless Steel, Galvanised Steel, Plastic and Carbon Steel.

We supply matching brackets also

- We stock all the brackets listed ready for despatch
- Brackets arranged by mounting hole size
- If you require customised brackets we can manufacture them - please get in touch to find out more
- Not supplied with screws / nuts unless shown.

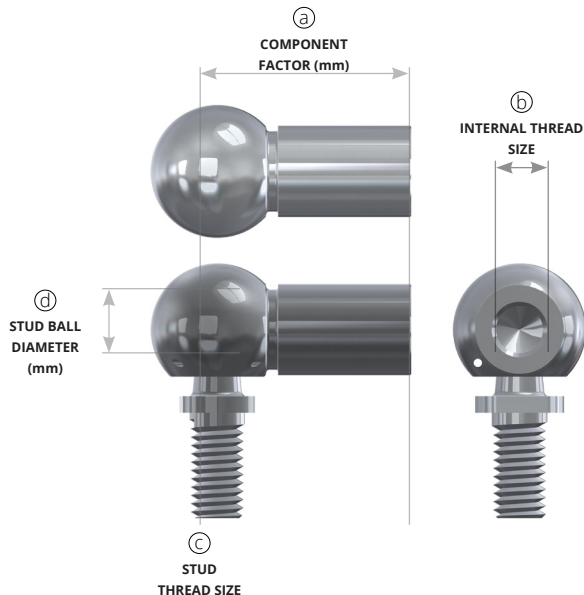
Ball Joints

Stainless Steel

Product Code	Component factor	Internal Thread Size	Stud Thread Size	Stud Ball Diameter	Material	Remarks
	(a)	(b)	(c)	(d)		
WS2200	22	5	5	8	Stainless Steel	
WS2501	25	6	6	10	Stainless Steel	
WS2502	25	6	6	10	Stainless Steel	Gaiter
WS2503	25	6	8	10	Stainless Steel	
WCS2500	25	6	-	10	Stainless Steel	No Stud
WCS1800	18	8	-	8	Stainless Steel	No Stud
WS2000	20	8	8	13	Stainless Steel	
WS2300	23	8	8	13	Stainless Steel	
WS2500	25	8	8	13	Stainless Steel	
WS3000	30	8	8	13	Stainless Steel	
WS3000A	30	8	8	13	Stainless Steel	Gaiter
WS3001	30	10	8	13	Stainless Steel	
WS3500	35	10	10	16	Stainless Steel	
WS3530	35	10	10	16	Stainless Steel	30mm Stud
WS3504	35	10	10	16	Stainless Steel	316 SS
WS4500	45	14	14	19	Stainless Steel	M14 x 1.5

Carbon and Galvanised Steel

Product Code	Component factor	Internal Thread Size	Stud Thread Size	Stud Ball Diameter	Material	Remarks
	(a)	(b)	(c)	(d)		
WE2202	22	5	5	6	Carbon Steel	
WE2504	25	6	-	10	Carbon Steel	No Stud
ADKG M8	25	8	8	13	Carbon Steel	
WUP3500	35	10	10	16	Carbon Steel	
ADKG M10	30	10	10	13	Carbon Steel	
WE1800	18	3.5	4	8	Galvanised Steel	
WE2203	22	5	5	8	Galvanised Steel	
WE2501	25	6	6	10	Galvanised Steel	
WCE2501	25	6	-	10	Galvanised Steel	No Stud
WE2505	25	6	6	10	Galvanised Steel	
WE2503	25	6	6	10	Galvanised Steel	
WE3000	30	8	8	13	Galvanised Steel	
WE1900	19	8	8	10	Galvanised Steel	
WE1801	18	8	8	10	Galvanised Steel	
WY2000	20	8	8	13	Galvanised Steel	
WE2500	25	8	8	10	Galvanised Steel	
WY3000	30	8	-	13	Galvanised Steel	
WE2502	25	10	8	13	Galvanised Steel	
WE3001	30	10	8	13	Galvanised Steel	
WE3500	35	10	10	16	Galvanised Steel	
WE4500	45	14	14	19	Galvanised Steel	M14 x 1.5
WE4501	45	14	8	19	Galvanised Steel	M14 x 2.0



Plastic

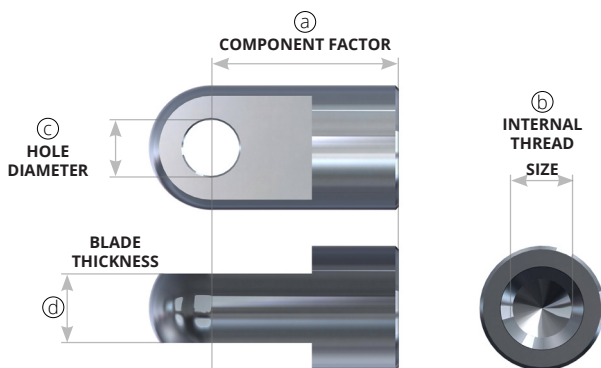
Product Code	Component factor	Internal Thread Size	Stud Thread Size	Stud Ball Diameter	Material	Remarks
	(a)	(b)	(c)	(d)		
WN1600	16	5	5	8	Plastic	
WN1801	18	5	5	8	Plastic	
WN2000	20	5	5	8	Plastic	
WN1800	18	6	5	10	Plastic	
PLS4M6	18	6	-	10	Plastic	No Stud
WNM6	18	6	-	10	Plastic	No Stud
WN2502	25	6	6	10	Plastic	
PLS4M8	20	8	-	10	Plastic	No Stud
WN2001	20	8	-	13	Plastic	No Stud
WN2501	25	8	8	13	Plastic	
WN3001	30	8	-	13	Plastic	No Stud
WN3002	30	8	8	13	Plastic	



Eye Joints

Stainless, Carbon, Galvanised Steel and Plastic

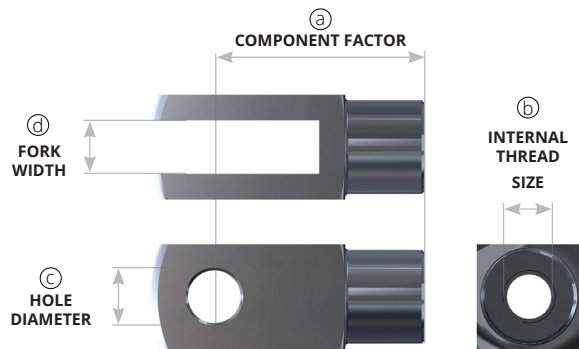
Product Code	Component factor	Internal Thread Size	Hole Diameter	Blade Thickness	Material	Remarks
	(a)	(b)	(c)	(d)		
AS1200	12	3.5	4	4	Stainless Steel	
AS1600	16	5	6	6	Stainless Steel	
AS1901	19	5	8	10	Stainless Steel	
AS1907	19	6	6	8	Stainless Steel	
AS1900	19	8	8	10	Stainless Steel	
AS1905	19	8	8	5	Stainless Steel	
AS2305	23	8	8	5	Stainless Steel	
AS2500	25	8	10	10	Stainless Steel	
AS2705	27	8	8	10	Stainless Steel	
AS2710	27	8	10	10	Stainless Steel	
AS2700	27	10	8	10	Stainless Steel	
AS2709	27	10	8	10	Stainless Steel	
AS2701	27	10	10	10	Stainless Steel	
AS421400	42	14	14	14	Stainless Steel	M14 x 1.5
AN2500	25	6	8	10	Plastic	
AWN2500	25	6	10	14	Plastic	
AE1100	11	3.5	4	4	Galvanised Steel	
AE1600	16	5	6	6	Galvanised Steel	
AE1601	16	8	8	10	Galvanised Steel	
AE1901	19	8	8	10	Galvanised Steel	
AE1906	19	8	6	10	Galvanised Steel	
AE1900	19	8	8	10	Galvanised Steel	
AE2000	20	10	8	10	Galvanised Steel	
AE2700	27	10	8	10	Galvanised Steel	
AE2701	27	10	8	10	Galvanised Steel	
AE1300	13	8	8	10	Carbon Steel	
AB15120	15	8	8	12	Carbon Steel	Black
AE15121	15	8	8	12	Carbon Steel	Self Col
AE2012	20	8	8	12	Carbon Steel	Black
AB2300	23	10	8	12	Carbon Steel	Black
AE2301	23	10	8	12	Carbon Steel	Self Col
AE401401	40	14	14	24	Carbon Steel	M14 x 1.5
AA1600	16	8	8	10	Aluminium	
AA1601	16	8	8	10	Aluminium	
AL2305	23	8	8	5	Aluminium	
AL2306	23	8	10	5	Aluminium	
AA3000	30	8	8	5	Aluminium	
AA2000	20	10	8	16	Aluminium	
AA2600	23	10	8	10	Aluminium	
AA2601	26	10	8	10	Aluminium	
AA4201	42	14	14	14	Aluminium	M14 x 1.5



Clevis Fork Joints

Stainless and Galvanised Steel

Product Code	Component factor	Internal Thread Size	Hole Diameter	Fork Width	Material	Remarks
	(a)	(b)	(c)	(d)		
GS2000	20	5	5	5	Stainless Steel	
GS3201	32	8	8	8	Stainless Steel	
GS4800	48	8	8	8	Stainless Steel	
GS3200	32	10	8	8	Stainless Steel	
GS4000	40	10	10	10	Stainless Steel	
GS5600	56	14	14	14	Stainless Steel	M14 x 1.5
GE1600	16	3.5	4	4	Galvanised Steel	
GE1601	16	4	4	4	Galvanised Steel	
GE2000	20	5	5	5	Galvanised Steel	
GE3202	32	8	8	8	Galvanised Steel	
GE2700	27	10	8	8	Galvanised Steel	
GE5500	56	14	14	14	Galvanised Steel	M14 x 1.5
GE3201	32	8	8	8	Yellow Zinc Plated	
GE3200	32	8	8	8	Yellow Zinc Plated	M10 x 1.0
GE4000	40	10	10	10	Yellow Zinc Plated	



Spherical Rose Joints

Stainless, Galvanised Steel and Plastic

Product Code	Component factor	Internal Thread Size	Hole Diameter	Fork Width	Material	Remarks
	(a)	(b)	(c)	(d)		
ASPS2700	27	5	5	8	Stainless Steel	
ASPS3600	36	8	8	12	Stainless Steel	
ASPS4300	43	10	10	14	Stainless Steel	
ASPS5700	57	14	14	14	Stainless Steel	M14 x 1.5
ASPN2700	27	5	5	8	Plastic	
ASPN4300	43	10	10	12	Plastic	
ASPE27M4	27	4	5	8	Galvanised Steel	
ASPE2700	27	5	5	8	Galvanised Steel	
ASPE3000	30	6	6	9	Galvanised Steel	
ASPE3600	36	8	8	12	Galvanised Steel	
ASPE4300	43	10	10	14	Galvanised Steel	
ASPE5700	57	14	14	19	Galvanised Steel	M14 x 1.5
ASPY3600	36	8	8	12	Yellow Zinc Plate	

